

Precasted concrete block 200x2000x3000

The precasted foundation is used for a temporary tower (approx. 2-5 years) as anchoring system of guy-wires. The foundation consists of different number of blocks depending on the resultant force and GWL (ground water level).

The anchor blocks foundation is available for immediate use – no curing, no settling is needed. The foundation is place at terrain level.
Wires and anchorage system must be chosen separately.

Standards used:

EN 1992-1 Design of concrete structures

EN 1997-1 Geotechnical- General rules

Application:

Block dimensions thickness/width/length[mm] – 200/2000/3000

Weigh of one block: 3000 kg

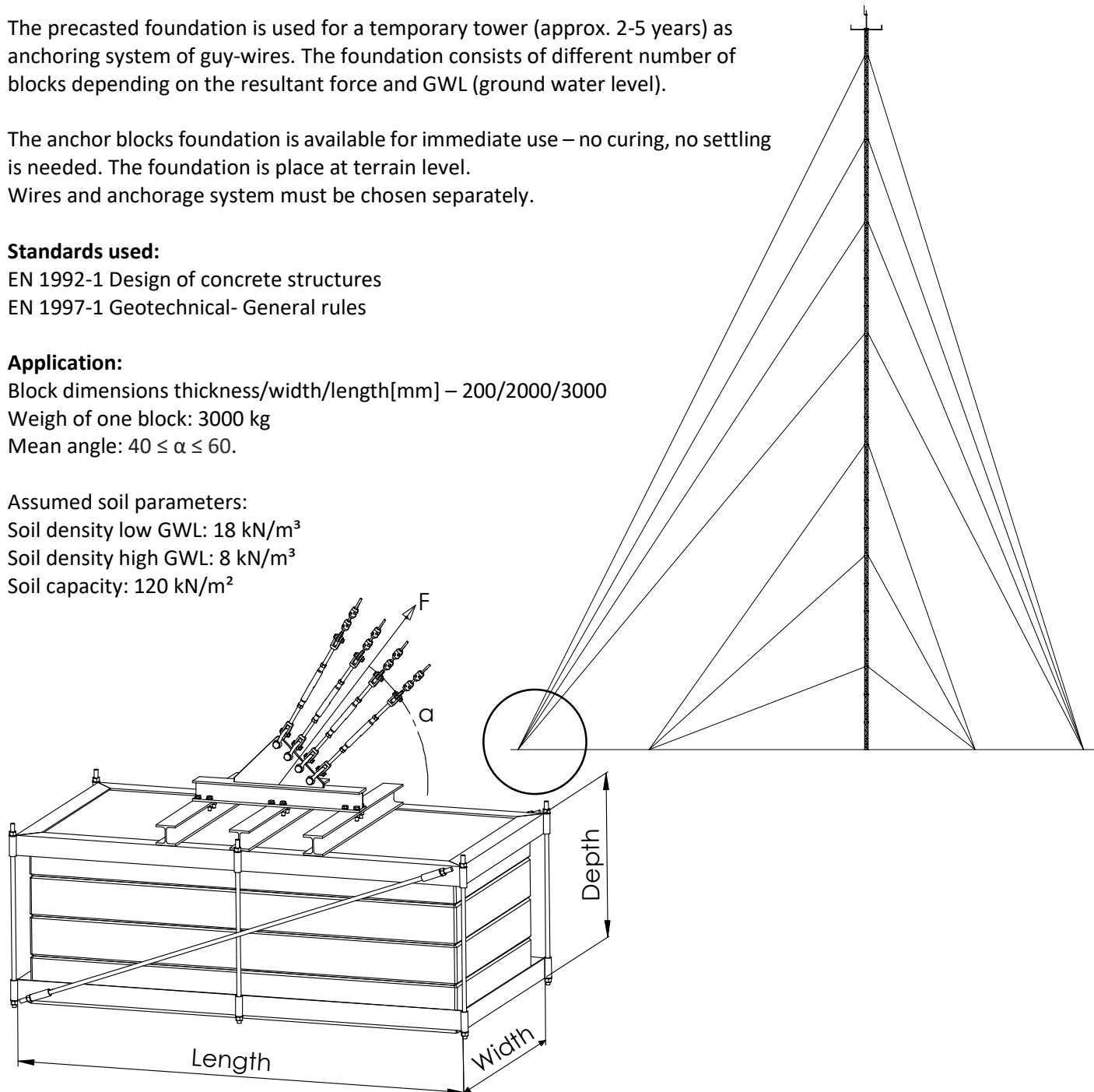
Mean angle: $40 \leq \alpha \leq 60$.

Assumed soil parameters:

Soil density low GWL: 18 kN/m^3

Soil density high GWL: 8 kN/m^3

Soil capacity: 120 kN/m^2



No. of Blocks	Depth mm	Force in kN (lowGWL)			Force in kN (high GLW)		
		40°	50°	60°	40°	50°	60°
4	800	50,5	60,5	78,0	47,0	56,0	72,0
6	1200	80,0	95,5	123,0	72,0	86,0	110,5
8	1600	113,0	134,5	173,0	98,5	117,0	151,0
10	2000	149,0	177,5	228,0	126,0	151,0	194,0